

BF-Munzer
Beyond turning

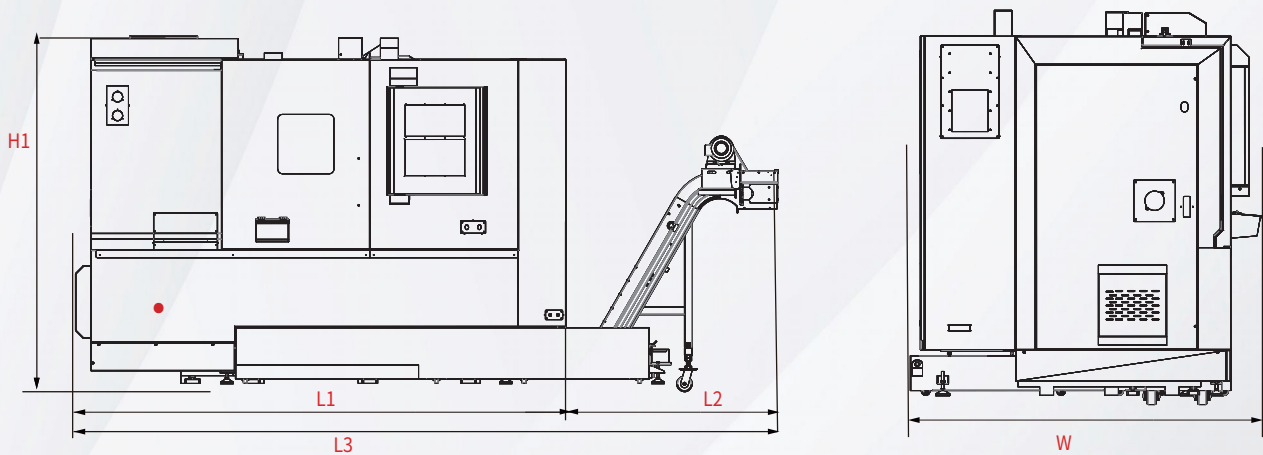
**TC PRO
SERIES**

TCP-750 Model



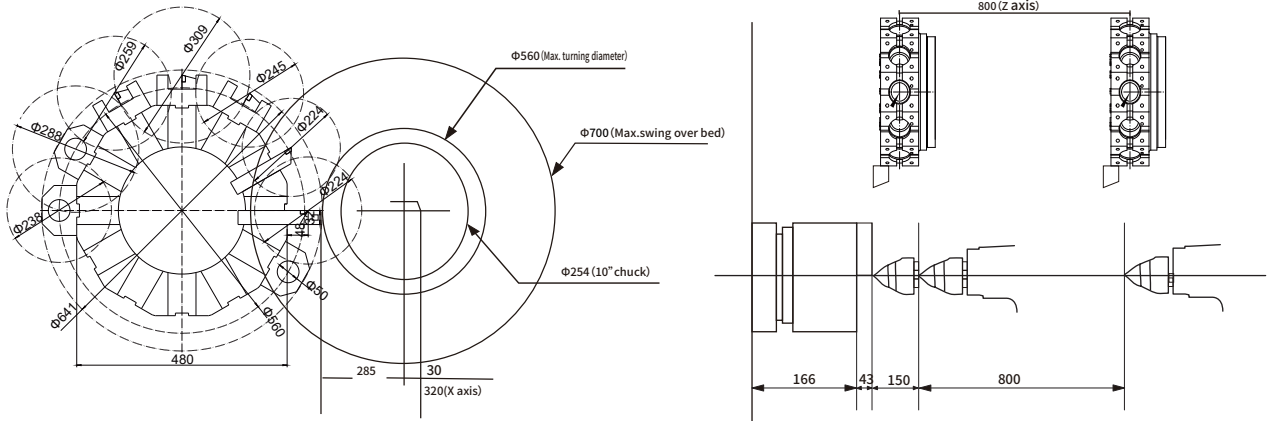
BF Techno GmbH
Munzer Technology

DIMENSIONS

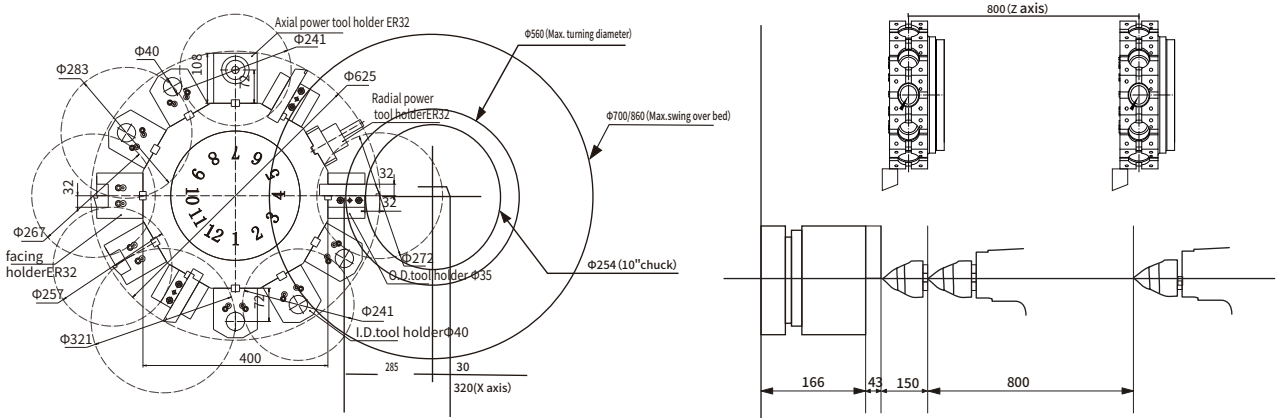


	TC-750	TC-750M	TC-750MY	TC-750MYW
L1	3454	3454	3454	3454
L2	1380	1380	1380	1380
L3	4834	4834	4834	4834
W	1925	1925	1925	1925
H1	2300	2300	2250	2250

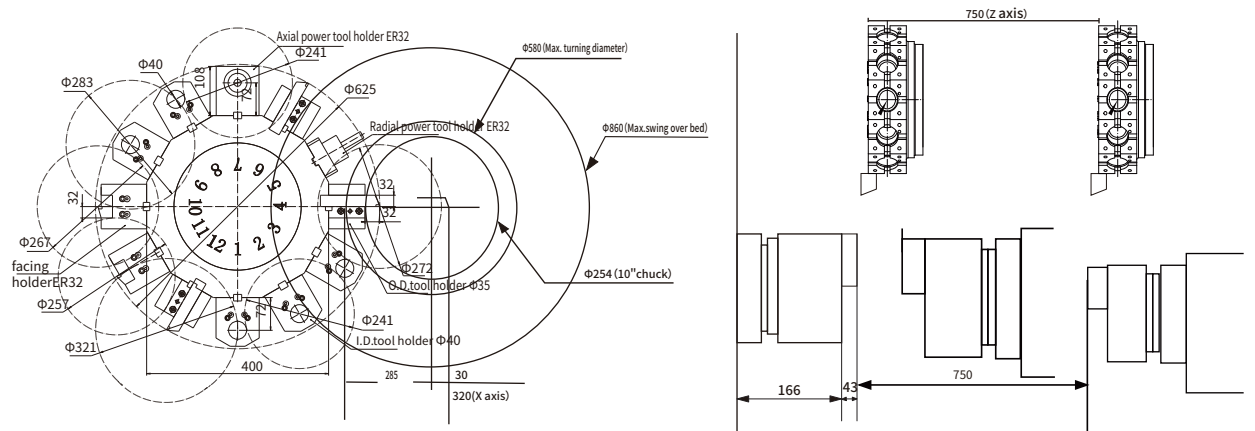
TCP-750



TCP-750M/MY



TCP-750MYW



TECHNICAL SPECIFICATIONS

TECHNICAL DATA			TCP-750			
CONTENT		unit	TCP-750	TCP-750M	TCP-750MY	TCP-750MYW
Capacity	Max. swing over bed	mm	Φ700	Φ700	Φ860	Φ860
	Max. turning diameter	mm	560	560	560	560
	Max. turning length	mm	800	800	800	750
	Bar hole	mm	Φ75	Φ75	Φ75	Φ75
Spindle	Spindle nose	-	A2-8	A2-8	A2-8	A2-8
	Spindle hole	mm	88	88	88	88
	Spindle speed	rpm	2500	2500	2500	2500
	Spindle motor	kw	15/18.5	15/18.5	15/18.5	15/18.5
	Chuck size	inch	10"(12")	10"(12")	10"(12")	10"(12")
Sub Spindle	Spindle nose	-	-	-	-	A2-6
	Spindle hole	mm	-	-	-	66
	Spindle speed	rpm	-	-	-	4000
	Spindle motor	kw	-	-	-	19
	Chuck size	inch	-	-	-	8"
Axis travel	x/z/y axis travel	mm	320/800	320/800	320/800/-70+80	320/750/-70+80
	x/z/y axis motor	kw	3.0/3.0	3.0/3.0	3.0/3.0/3.0	3.0/3.0/3.0
	x/z/y axis rapid traverse	m/min	16/16	16/16	16/16/8	16/16/8
	positioning accuracy	mm	±0.008	±0.008	±0.008	±0.008
	repeat accuracy	mm	±0.005	±0.005	±0.005	±0.005
Tool Turret	Tool Turret type	-	Servo turret -12T	BMT65-12T	BMT65-12T	BMT65-12T
	O.D. tool holder	mm	32*32	32*32	32*32	32*32
	I.D. tool holder	mm	Φ50	Φ50	Φ50	Φ50
Tailstock	Tailstock type	-	Programmable hydraulic tailstock (Optional servo tailstock)			/
	Taper		MT#5	MT#5	MT#5	/
	Quill diameter	mm	Φ110	Φ110	Φ110	/
	Quill travel	mm	150	150	150	/
Machine dimensions	L*W*H	cm	3454*1925*2150	3454*1925*2150	3454*1925*2755	3454*1925*2755
	weight	kg	7000	7100	7500	8000