

BF-Munzer
Beyond turning

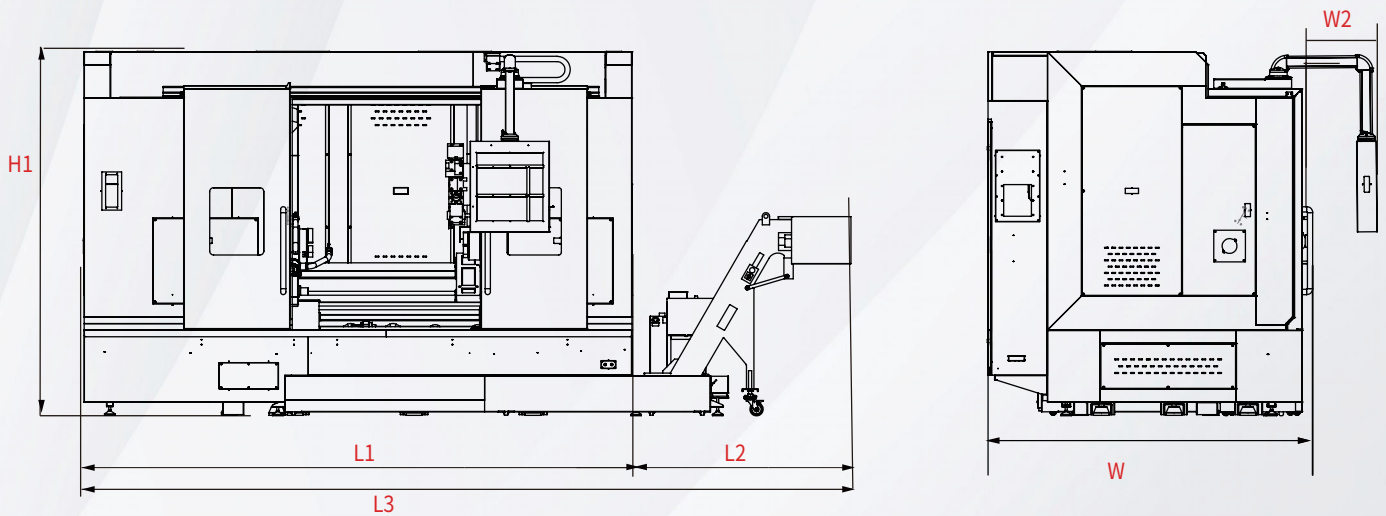
**TC PRO
SERIES**

TCP-1000 Model



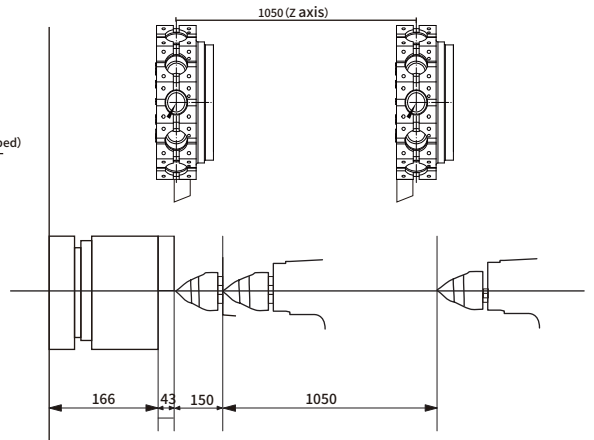
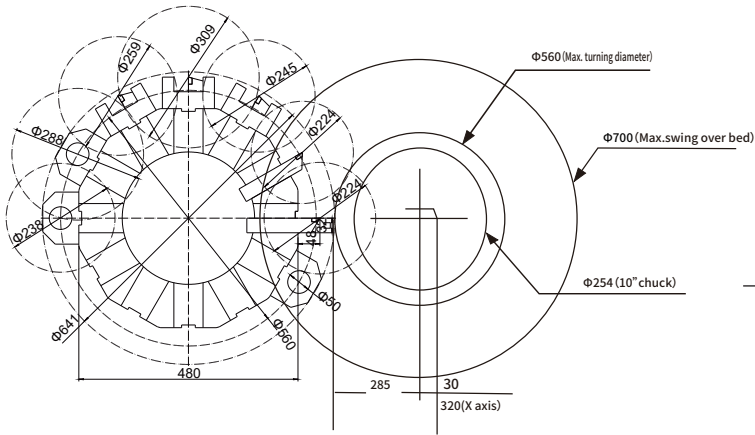
BF Techno GmbH
Munzer Technology

DIMENSIONS

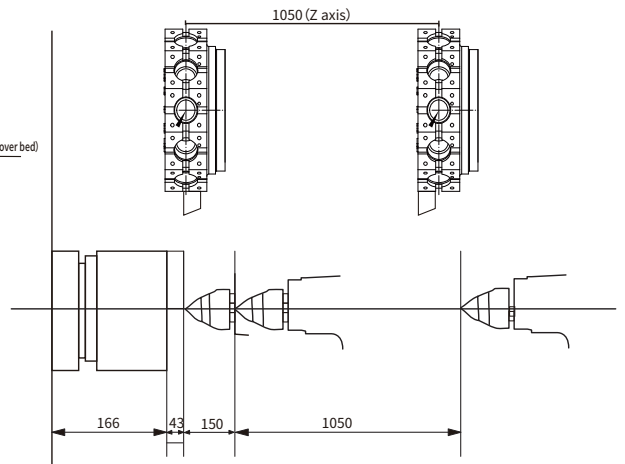
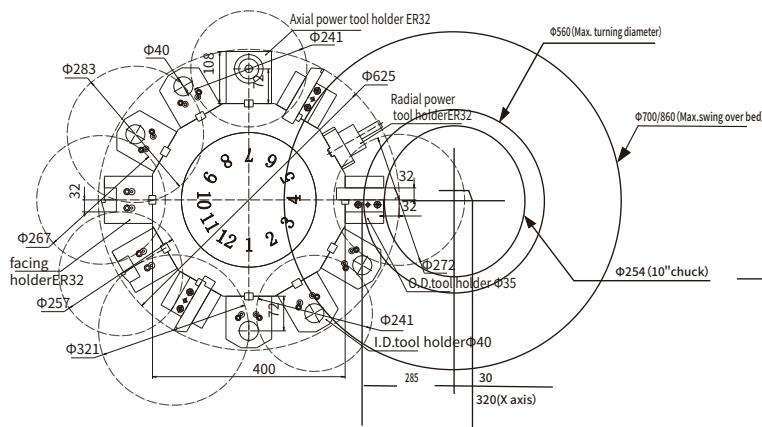


	TC-1000	TC-1000M	TC-1000MY	TC-1000MYW
L1	4150	4150	4150	4150
L2	1660	1660	1660	1660
L3	5810	5810	5810	5810
H1	2330	2330	2755	2755
W	2160	2160	2380	2380
W2	563	563	563	563

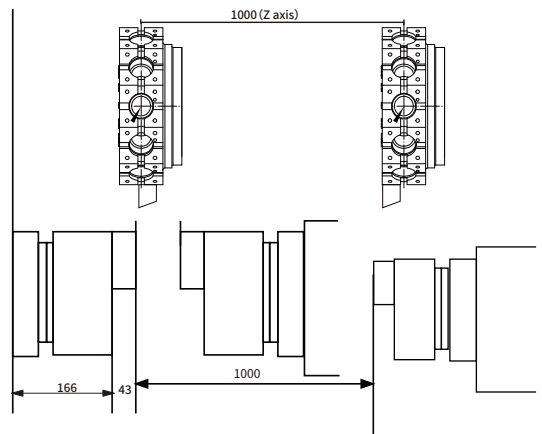
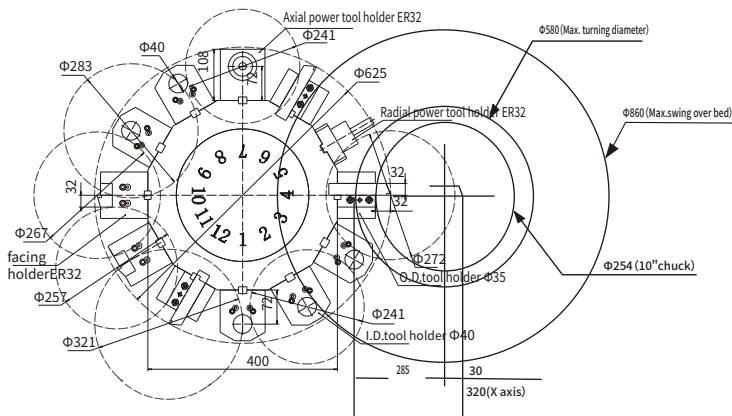
TCP-1000



TCP-1000M/MY



TCP-1000MYW



TECHNICAL SPECIFICATIONS

TECHNICAL DATA			TCP-1000			
CONTENT		unit	TCP-1000	TCP-1000M	TCP-1000MY	TCP-1000MYW
Capacity	Max. swing over bed	mm	Φ700	Φ700	Φ860	Φ860
	Max. turning diameter	mm	560	560	560	560
	Max. turning length	mm	1050	1050	1050	1000
	Bar hole	mm	Φ75	Φ75	Φ75	Φ75
Spindle	Spindle nose	-	A2-8	A2-8	A2-8	A2-8
	Spindle hole	mm	88	88	88	88
	Spindle speed	rpm	2500	2500	2500	2500
	Spindle motor	kw	15/18.5	15/18.5	15/18.5	15/18.5
	Chuck size	inch	10"(12")	10"(12")	10"(12")	10"(12")
Sub Spindle	Spindle nose	-	-	-	-	A2-6
	Spindle hole	mm	-	-	-	66
	Spindle speed	rpm	-	-	-	4000
	Spindle motor	kw	-	-	-	19
	Chuck size	inch	-	-	-	8"
Axis travel	x/z/y axis travel	mm	320/1050	320/1050	320/1050/-70+80	320/1000/-70+80
	x/z/y axis motor	kw	3.0/3.0	3.0/3.0	3.0/3.0/3.0	3.0/3.0/3.0
	x/z/y axis rapid traverse	m/min	16/16	16/16	16/16/8	16/16/8
	positioning accuracy	mm	±0.008	±0.008	±0.008	±0.008
	repeat accuracy	mm	±0.005	±0.005	±0.005	±0.005
Tool Turret	Tool Turret type	-	伺服刀塔-12T	BMT65-12T	BMT65-12T	BMT65-12T
	O.D. tool holder	mm	32*32	32*32	32*32	32*32
	I.D. tool holder	mm	Φ50	Φ50	Φ50	Φ50
Tailstock	Tailstock type	-	Programmable hydraulic tailstock(Optional servo tailstock)			/
	Taper		MT#5	MT#5	MT#5	/
	Quill diameter	mm	Φ110	Φ110	Φ110	/
	Quill travel	mm	150	150	150	/
Machine dimensions	L*W*H	cm	4150*2160*2030	4150*2160*2030	4150*2380*2755	4150*2380*2755
	w eight	kg	7800	7900	8300	8800